

**DALLAS**  
SEMICONDUCTOR

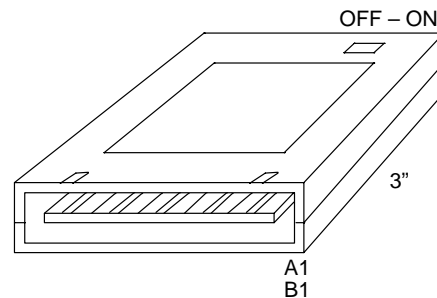
## DS1217A Nonvolatile Read/Write Cartridge

### FEATURES

- User-insertable
- Capacity up to 32K x 8
- Standard byte-wide pinout facilitates connection to JEDEC 28-pin DIP socket via ribbon cable
- Data retention greater than 10 years
- Automatic write protection circuitry safeguards against data loss
- Manual switch unconditionally protects data
- Compact size and shape
- Rugged and durable
- Wide operating temperature range of 0°C to 70°C

### PIN ASSIGNMENT

Name	Position	Name
Ground	A1	B1
+5 Volts	A2	B2
Write Enable	A3	B3
Address 13	A4	B4
Address 8	A5	B5
Address 9	A6	B6
Address 11	A7	B7
Output Enable	A8	B8
Address 10	A9	B9
Cartridge Enable	A10	B10
Data I/O 7	A11	B11
Data I/O 6	A12	B12
Data I/O 5	A13	B13
Data I/O 4	A14	B14
Data I/O 3	A15	B15
		No Connect
		Address 14
		Address 12
		Address 7
		Address 6
		Address 5
		Address 4
		Address 3
		Address 2
		Address 1
		Address 0
		Data I/O 0
		Data I/O 1
		Data I/O 2
		Ground



See Mech. Drawings Section

### DESCRIPTION

The DS1217A is a nonvolatile RAM designed for portable applications requiring a rugged and durable package. The nonvolatile cartridge is available in densities ranging from 2K x 8 to 32K x 8 in 8K byte increments. A card edge connector is required for connection to a host system. A standard 30-pin connector can be used for direct mount to a printed circuit board. Alternatively, remote mounting can be accomplished with a 28-conductor ribbon cable terminated with a 28-pin DIP plug. The

remote method can be used to retrofit existing systems that have JEDEC 28-pin byte-wide memory sites.

The DS1217A cartridge has a lifetime energy source to retain data and circuitry needed to automatically protect memory contents. Reading and writing the memory locations is the same as using conventional static RAM. If the user wants to convert from read/write memory to read-only memory, a manual switch is provided to unconditionally protect memory contents.

**READ MODE**

The DS1217A executes a read cycle whenever  $\overline{WE}$  (write enable) is inactive (high) and  $\overline{CE}$  (cartridge enable) is active (low). The unique address specified by the 15 address inputs (A0-A14) defines which of the 32,768 bytes of data is to be accessed. Valid data will be available to the eight data I/O pins within  $t_{ACC}$  (access time) after the last address input signal is stable, providing that  $\overline{CE}$  and  $\overline{OE}$  (output enable) access times are also satisfied. If  $\overline{OE}$  and  $\overline{CE}$  times are not satisfied, then data access must be measured from the latter occurring signal ( $\overline{CE}$  or  $\overline{OE}$ ); the limiting parameter is either  $t_{CO}$  for  $\overline{CE}$  or  $t_{OE}$  for  $\overline{OE}$  rather than address access. Read cycles can only occur when  $V_{CC}$  is greater than 4.5 volts. When  $V_{CC}$  is less than 4.5 volts, the memory is inhibited and all accesses are ignored.

**WRITE MODE**

The DS1217A is in the write mode whenever both the  $\overline{WE}$  and  $\overline{CE}$  signals are in the active (low) state after address inputs are stable. The last falling edge to occur of either  $\overline{CE}$  or  $\overline{WE}$  will determine the start of the write cycle. The write cycle is terminated by the first rising edge of either  $\overline{CE}$  or  $\overline{WE}$ . All address inputs must be kept valid throughout the write cycle.  $\overline{WE}$  must return to the high state for a minimum recovery time ( $t_{WR}$ ) before another cycle can be initiated. The  $\overline{OE}$  control signal should be kept inactive (high) during write cycles to avoid bus contention. However, if the output bus has been enabled ( $\overline{CE}$  and  $\overline{OE}$  active) then  $\overline{WE}$  will disable the outputs in  $t_{ODW}$  from its falling edge. Write cycles can only occur when  $V_{CC}$  is greater than 4.5 volts. When  $V_{CC}$  is less than 4.5 volts, the memory is write protected.

**DATA RETENTION MODE**

The Nonvolatile Cartridge provides full functional capability for  $V_{CC}$  greater than 4.5 volts and guarantees write protection for  $V_{CC}$  less than 4.5 volts. Data is maintained in the absence of  $V_{CC}$  without any additional support circuitry. The DS1217A constantly monitors  $V_{CC}$ . Should the supply voltage decay, the RAM is automatically write protected below 4.5 volts. As  $V_{CC}$  falls below approximately 3.0 volts, the power switching circuit connects a lithium energy source to RAM. To retain data

during power-up, when  $V_{CC}$  rises above approximately 3.0 volts, the power switching circuit connects the external  $V_{CC}$  to the RAM and disconnects the lithium energy source. Normal RAM operation can resume after  $V_{CC}$  exceeds 4.5 volts.

The DS1217A checks battery status to warn of potential data loss. Each time that  $V_{CC}$  power is restored to the cartridge, the battery voltage is checked with a precision comparator. If the battery supply is less than 2.0 volts, the second memory cycle is inhibited. Battery status can, therefore, be determined by performing a read cycle after power-up to any location in memory, recording that memory location content. A subsequent write cycle can then be executed to the same memory location, altering data. If the next read cycle fails to verify the written data, the contents of the memory are questionable.

In many applications, data integrity is paramount. For this reason, the cartridge provides battery redundancy. The DS1217A features an internal isolation switch that provides for the connection of two batteries. During battery backup time, the battery with the highest voltage is selected for use. If one battery fails, the other will automatically take over. The switch between batteries is transparent to the user. A battery status warning will occur if both batteries are less than 2.0 volts.

**REMOTE CONNECTION VIA A RIBBON CABLE**

Existing systems that contain 28-pin byte-wide sockets can be retrofitted using a 28-pin DIP plug. The DIP plug, AMP Part Number 746616-2, can be inserted into the 28-pin site after the memory is removed. Connection to the cartridge is accomplished via a 28-pin ribbon cable connected to a 30-contact card edge connector, AMP Part Number 499188-4. The 28-pin ribbon cable must be right-justified such that positions A1 and B1 are left disconnected. For applications where the cartridge is installed or removed with power applied, both ground contacts (A1 and B15) on the card edge connector should be grounded to further enhance data integrity. Access time push-out may occur as the distance between the cartridge and driving circuitry is increased.

**CARTRIDGE NUMBERING** Table 1

<b>PART NO.</b>	<b>DENSITY</b>	<b>UNUSED ADDRESS INPUTS</b>
DS1217A/16K-25	2K x 8	*Address 11, 12, 13, 14
DS1217A/64K-25	8K x 8	*Address 13, 14
DS1217A/128K-25	16K x 8	*Address 14
DS1217A/192K-25	24K x 8	
DS1217A/256K-25	32K x 8	

\*Unused address inputs must be held low ( $V_{IL}$ ).

**ABSOLUTE MAXIMUM RATINGS\***

Voltage on Any Connection Relative to Ground	-0.3V to +7.0V
Operating Temperature	0°C to 70°C
Storage Temperature	-40°C to +70°C

\* This is a stress rating only and functional operation of the device at these or any other conditions above those indicated in the operation sections of this specification is not implied. Exposure to absolute maximum rating conditions for extended periods of time may affect reliability.

**RECOMMENDED DC OPERATING CONDITIONS**

(0°C to 70°C)

PARAMETER	SYMBOL	MIN	TYP	MAX	UNITS	NOTES
Power Supply Voltage	$V_{CC}$	4.5	5.0	5.5	V	
Input High Voltage	$V_{IH}$	2.2		$V_{CC}$	V	
Input Low Voltage	$V_{IL}$	0.0		+0.8	V	

**DC ELECTRICAL CHARACTERISTICS**(0°C to 70°C;  $V_{CC}=5V \pm 10\%$ )

PARAMETER	SYMBOL	MIN	TYP	MAX.	UNITS	NOTES
Input Leakage Current	$I_{IL}$	-60		+60	$\mu A$	
I/O Leakage Current $\overline{CE} \geq V_{IH} \leq V_{CC}$	$I_{IO}$	-10		+10	$\mu A$	
Output Current @ 2.4V	$I_{OH}$	-1.0	-2.0		mA	
Output Current @ 0.4V	$I_{OL}$	2.0	3.0		mA	
Standby Current $\overline{CE}=2.2V$	$I_{CCS1}$		5.0	10	mA	
Operating Current	$I_{CCO1}$		35	75	mA	

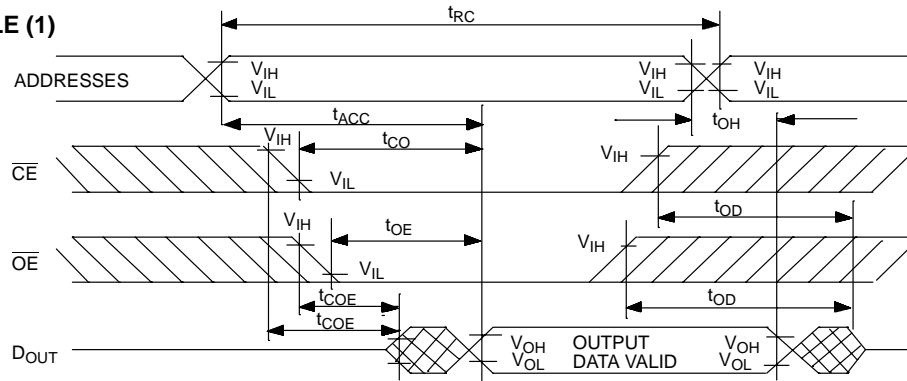
**CAPACITANCE** $(t_A = 25^\circ C)$ 

PARAMETER	SYMBOL	MIN	TYP	MAX.	UNITS	NOTES
Input Capacitance	$C_{IN}$			75	pF	
Input/Output Capacitance	$C_{I/O}$			75	pF	

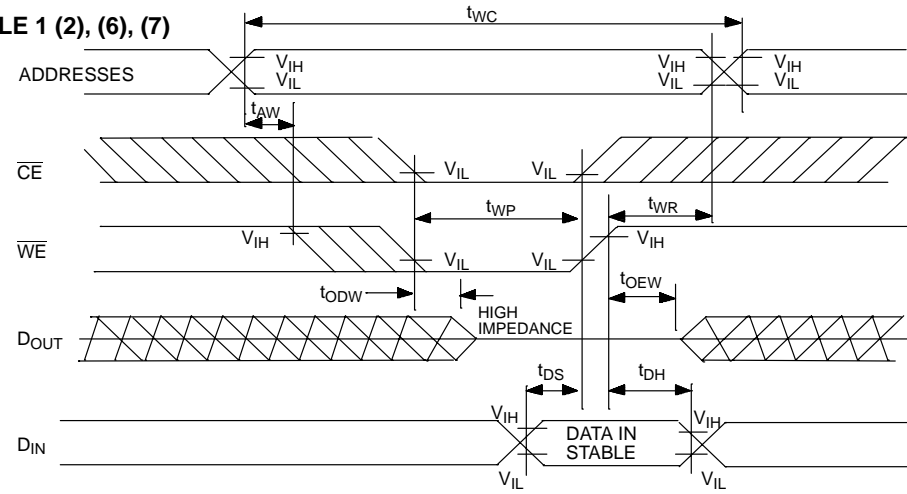
**AC ELECTRICAL CHARACTERISTICS**(0°C to 70°C;  $V_{CC}=5V \pm 10\%$ )

PARAMETER	SYMBOL	MIN	TYP	MAX	UNITS	NOTES
Read Cycle Time	$t_{RC}$	250			ns	
Access Time	$t_{ACC}$			250	ns	
$\overline{OE}$ to Output Valid	$t_{OE}$			125	ns	
$\overline{CE}$ to Output Valid	$t_{CO}$			250	ns	
$\overline{OE}$ or $\overline{CE}$ to Output Active	$t_{COE}$	5			ns	5
Output High Z from Deselection	$t_{OD}$			125	ns	5
Output Hold from Address Change	$t_{OH}$	5			ns	
Write Cycle Time	$t_{WC}$	250			ns	
Write Pulse Width	$t_{WP}$	170			ns	3
Address Setup Time	$t_{AW}$	0			ns	
Write Recovery Time	$t_{WR}$	20			ns	
Output High Z from $\overline{WE}$	$t_{ODW}$			100	ns	5
Output Active from $\overline{WE}$	$t_{OEW}$	5			ns	5
Data Setup Time	$t_{DS}$	100			ns	4
Data Hold Time from $\overline{WE}$	$t_{DH}$	20			ns	4

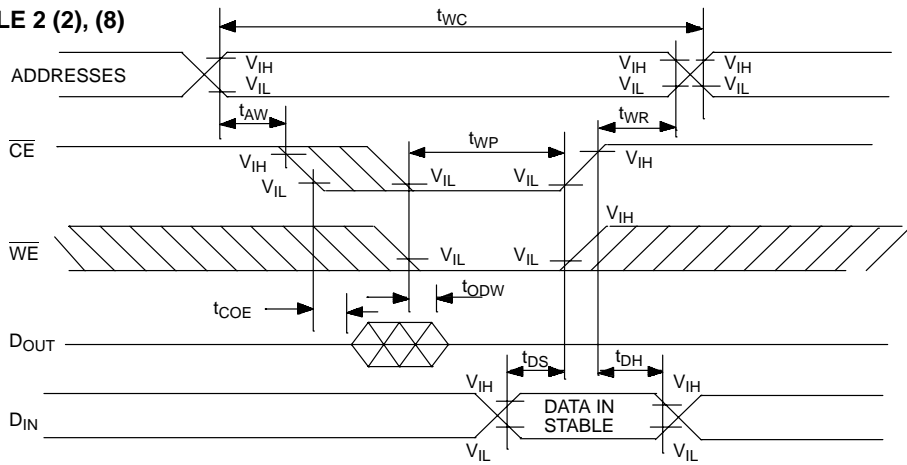
**READ CYCLE (1)**

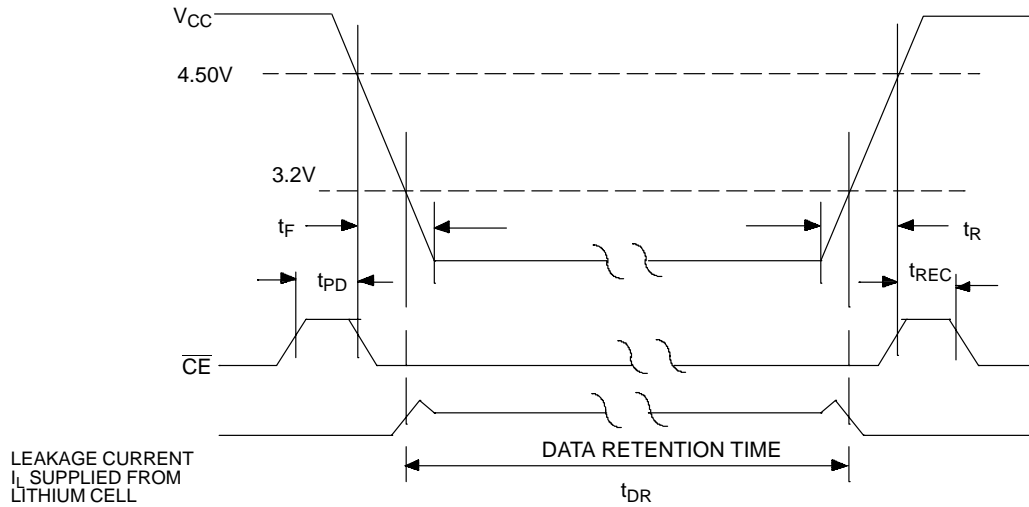


**WRITE CYCLE 1 (2), (6), (7)**



**WRITE CYCLE 2 (2), (8)**



**POWER-DOWN/POWER-UP CONDITION****POWER-DOWN/POWER-UP TIMING**

(0°C to 70°C)

SYM	PARAMETER	MIN	MAX	UNITS	NOTES
$t_{PD}$	$\overline{CE}$ at $V_{IH}$ before Power-Down	0		$\mu\text{s}$	10
$t_F$	$V_{CC}$ Slew from 4.5V to 0V ( $\overline{CE}$ at $V_{IH}$ )	100		$\mu\text{s}$	
$t_R$	$V_{CC}$ Slew from 0V to 4.5V ( $\overline{CE}$ at $V_{IH}$ )	0		$\mu\text{s}$	
$t_{REC}$	$\overline{CE}$ at $V_{IH}$ after Power-Up	2	125	ms	10

 $(t_A = 25^\circ\text{C})$ 

SYM	PARAMETER	MIN	MAX	UNITS	NOTES
$t_{DR}$	Expected Data Retention Time	10		years	9

**WARNING:**

Under no circumstances are negative undershoots, of any amplitude, allowed when the device is in battery backup mode.

**NOTES:**

1.  $\overline{WE}$  is high for a read cycle.
2.  $\overline{OE} = V_{IH}$  or  $V_{IL}$ . If  $\overline{OE} = V_{IH}$  during the write cycle, the output buffers remain in a high impedance state.
3.  $t_{WP}$  is specified as the logical AND of  $\overline{CE}$  and  $\overline{WE}$ .  $t_{WP}$  is measured from the latter of  $\overline{CE}$  or  $\overline{WE}$  going low to the earlier of  $\overline{CE}$  or  $\overline{WE}$  going high.
4.  $t_{DH}$ ,  $t_{DS}$  are measured from the earlier of  $\overline{CE}$  or  $\overline{WE}$  going high.
5. These parameters are sampled with a 5pF load and are not 100% tested.
6. If the  $\overline{CE}$  low transition occurs simultaneously with or later than the  $\overline{WE}$  low transition in Write Cycle 1, the output buffers remain in a high impedance state during this period.
7. If the  $\overline{CE}$  high transition occurs prior to or simultaneously with the  $\overline{WE}$  high transition in Write Cycle 1, the output buffers remain in a high impedance state during this period.
8. If  $\overline{WE}$  is low or the  $\overline{WE}$  low transition occurs prior to or simultaneously with the  $\overline{CE}$  low transition, the output buffers remains in a high impedance state during this period.
9. Each DS1217A is marked with a 4-digit date code AABB. AA designates the year of manufacture; BB designates the week of manufacture. The expected  $t_{DR}$  is defined as starting at the date of manufacture.
10. Removing and installing the cartridge with power applied may disturb data.

**DC TEST CONDITIONS**

Outputs Open  
t Cycle = 250ns  
All Voltages Are Referenced to Ground

**AC TEST CONDITIONS**

Output Load: 100pF + 1TTL Gate  
Input Pulse Levels: 0 - 3.0V  
Timing Measurement Reference Levels  
Input: 1.5 V